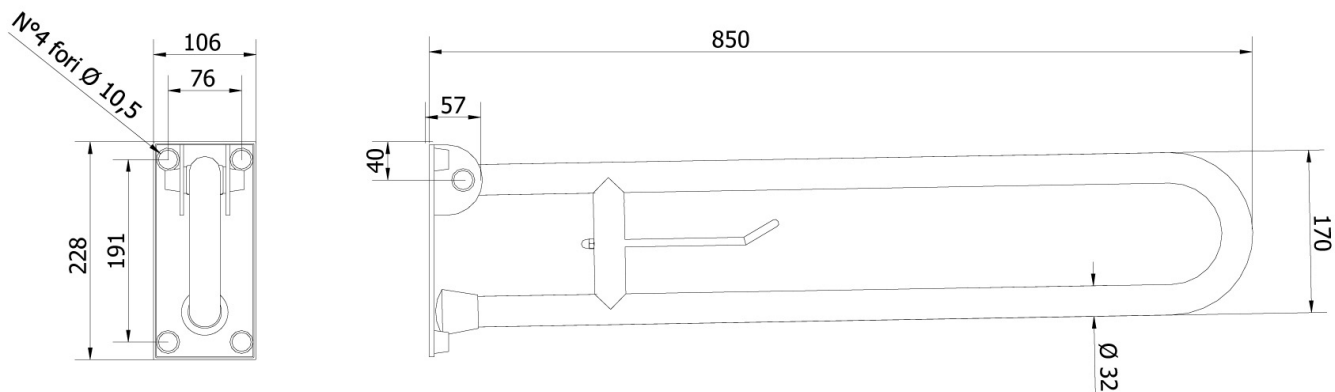
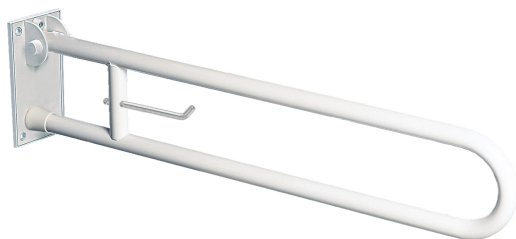


TECHNICAL DRAWING



PHOTO



**PRODUCT FAMILY:** HANDBARS AND HANDRAILS – PAINTED SERIES

**CODE:** 840-I-B

**DESCRIPTION:** Hinged folding support rail, 830 mm, with toilet roll holder and blocking device in upright position. Electrical insulation. White colour.

**MECHANICAL PERFORMANCES:**

Maximum load 150 kg.

**APPROVALS/CERTIFICATIONS:**

TUV system certification UNI EN ISO 9001:2008.

Declaration of Conformity according to European Medical Device Directive 93/42.

Reference regulations: Pr EN 1874; UNI EN 12182; UNI CEI EN ISO 14971; UNI EN 1041.

**PRODUCT FEATURES:**

Ø 32 cold bent body, complete with mounting plate and toilet roll holder.  
The mounting plate electrically insulates the product.

**FIXING/INSTALLATION:**

Wall mounting by 9 plugs.  
Plugs are not included in the package.  
Read the instruction sheet to choose the suitable plugs according to the type of wall.

**PRODUCT COMPOSITION:**

- N° 1 Pipe Ø32 x 15/10 Fe P04 - DC04 - Zinc-coated and painted RAL9016
- N° 1 Insulating plate - Nylon PA6 - RAL9016
- N° 1 Mounting plate - DC04 - Zinc-coated and painted
- N° 1 Rotation screw - Stainless steel
- N° 6 Nut covers - Nylon PA6 - RAL9016
- N° 6 Washers for nut covers - Nylon PA6 - RAL9016
- N° 1 Mechanical locking device - Nylon PA6 - RAL9016
- N° 1 Toilet roll holder with mounting nut - AISI 304 Polished

**MAINTENANCE:**

Check the correct fastening of the accessories periodically.  
Perform a proper cleaning with water and soap, do not use abrasive or corrosive agents or coarse sponges.

**TOLERANCES:**

GENERAL TOLERANCES - LENGTH (mm)  
0÷300 ±3 301÷600 ±4 601÷2000 ±5

**PACKAGING OF THE PRODUCT:**

Individually wrapped in bubble wrap and packed in cardboard box 540 x 241 x 110 mm.  
Weight: 4 kg

|                     |     |           |
|---------------------|-----|-----------|
| ST_PRODOTTO:840-I-B | - 1 | APPROVATO |
|                     |     | R.T.      |
| REV.01 DEL 26/02/14 |     |           |

